

TECHNICAL DATA SHEET

LU3RSAL IP20 / ALRS Orientable Spot + Aga-Led® Type B

VERSION - 02.09.0215

STANDARD LUMINAIRE

Reference	LU3RSAL / ARLS + Aga-Led®
Protection Class	IP20
Lighting Source 1	Aga-Led® BUR
Lighting Source 2	Aga-Led® Type B
Connector	Festoon on B'Light conductor 16mm ²
Dimensions	52 x 48mm
Length on measure	69mm to 3000mm
Nb Lighting Unit	9 Led/m + 9 ALRS/m
Voltage	12V - 24V
Power	27 W/m
Connecting Cable	1m standard cable 2x2.5mm ²
Cover	Metal: CFP1 Combined
End Cpas	EPA

FINISH

Color Finishing Profil

Standard	Natural Anodised Aluminium
On request	<i>Thermo-Enameling</i>
	<i>Powder Coating RAL</i>
	<i>Color Anodising</i>
	<i>Polished Aluminium Chrome or Gold Aspect</i>

ON REQUEST

Connecting Plug	AMS / AF
Dimmable	YES (1-10V, Dali, KNX)
	<i>Ask technical departement for more information</i>

LIGHTING SOURCE

Lighting Source 1

Aga-Led® BUR



Ref	BUR_14	06LT04
Voltage	24V (12V Dimmable)	24V
Power	1.8W	0.48W
Beam Angle	14°	15°
CRI	80	80
Color Temperature	lm/Unit	lm/Unit
	2200K 67~74 lm	2800K: 24lm
	4000K 107~114 lm	5000K: 30lm
Lifetime / L70 at 25°	50'000h / 36'000h	60'000h / 20'000h
Working T°	-20°C ~ +40°C	-30°C ~ +50°C

Lighting Source 2

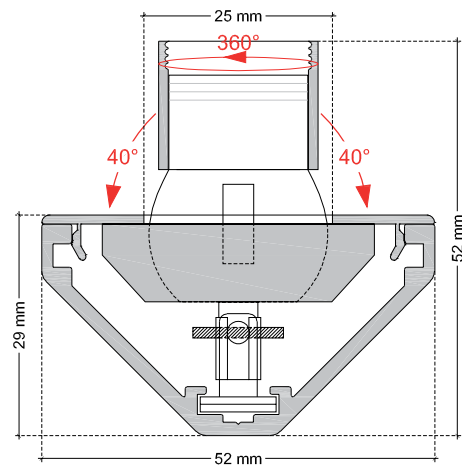
Aga-Led® Type B - Generation 2

Ref	B2	B3	B4	B6
Voltage	24V	24V	24V	24V
Power	1.2W	0.96W	1.2W	1.2W
Beam Angle	120°	120°	120°	120°
CRI	80	80	80	80
Color Temperature	lm/Unit			
	2000K 40 ~ 68	40 ~ 82	46 ~ 78	70 ~ 118
	2400K 48 ~ 81	58 ~ 97	55 ~ 93	83 ~ 140
	2800K 68 ~ 114	82 ~ 137	66 ~ 111	99 ~ 166
	4000K 68 ~ 114	82 ~ 137	66 ~ 111	99 ~ 166
Lifetime / L70 at 25°	50'000h / 36'000h			
Working T°	-20°C to +45°C			
Environmental protection	Modified acrylate resin			

APPLICATION: museums, showcases, private collections

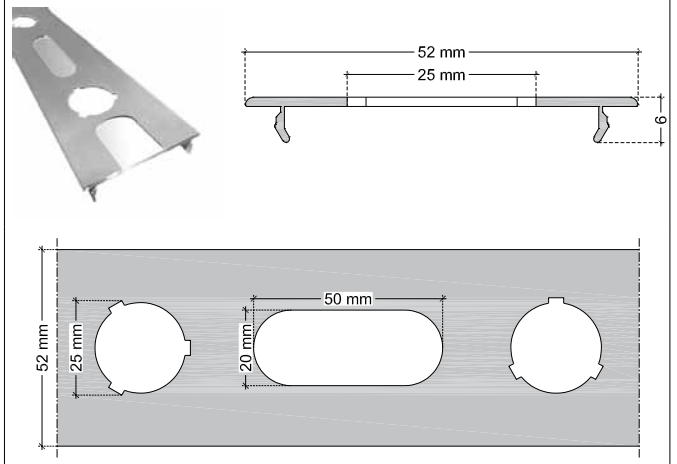


LU3RSAL / AGA-LED® Type B + ARLS Spot with AGA-LED® BUR



LU3RSAL Cover

CFP1 Combined



**Luminaire combined with orientable spot and Aga-Led®
Don't hesitate to contact us for different configurations.**



AGABEKOV



AGABEKOV SA Manufacture 6, ROUTE DE COMPOIS
CH-1222 VÉSENAZ - GENEVA - SWITZERLAND
Tel. +41 22 752 47 45 Fax. +41 22 752 37 08
E - mail: info@aaabekov.com



AGABEKOV SA Bureau d'etudes 6, ROUTE DE COMPOIS
CH-1222 VÉSENAZ - GENEVA - SWITZERLAND
Tel. +41 22 752 47 45 Fax. +41 22 752 37 08
Internet: www.aaabekov.com

