

## TECHNICAL DATA SHEET

### LAPL IP65 / Aga-Power-Led® RGB

VERSION - 04.09.2015

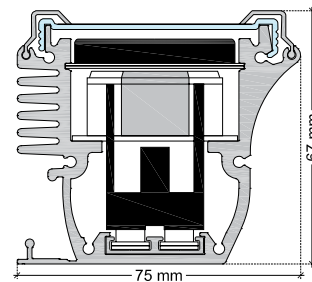
#### STANDARD LUMINAIRE

Reference	LAPL
Protection Class	IP65
Lighting Source	Aga-Power-Led® RGB
Connector	Festoon on B'Light conductor 16mm <sup>2</sup>
Dimensions	75 x 67mm
Standard Length	110 - 495 - 990 - 1485 - 1980mm
Length on measure	on request up to 2970mm
Nb Lighting Unit	17 LED/m
Voltage	24V
Power	54.4 W/m
Connecting Cable	One Side: 1m cable PUR 4x0.75mm <sup>2</sup>
Grid	Anti Glare: GAP
End Caps	EFLA

#### APPLICATION: Upward Lighting for Walls, Facades, Columns



#### LAPL / AGA-POWER-LED® RGB - Festoon



#### FINISH

##### Color Finishing Profil

Standard	Natural Anodised Aluminium
On request	Thermo-enameling Powder Coating RAL Color Anodising Polished Aluminium Chrome or Gold Aspect

##### Glass Finishing

Standard	Clear Glass
----------	-------------

#### ON REQUEST

Fixation	FLP Series
Recessed Box	See Data Sheet RAPI Luminaire
Connecting Plug	AMS / AF or AMS-E / AF-E (IP68)
Dimming Option	Dali, KNX <i>Ask technical departement for more information</i>

#### ON REQUEST

##### Connecting plug AF/AMS



##### Connecting plug AF-E/AMS-E (IP68)



#### LIGHTING SOURCE

Lighting Source	Aga-Power-Led® RGB		
Ref	03LP22_ RGB		
Voltage	24V		
Power	3.2W		
Beam Angle	120°		
CRI	80		
Light Output - lm/Unit	Red 28 ~ 34lm	Green 47 ~ 52lm	Blue 16 ~ 21lm
Lifetime/L70 at 25°	60'000h / 50'000h		
Working T°	-30°C ~ +50°C		

#### CERTIFICAT

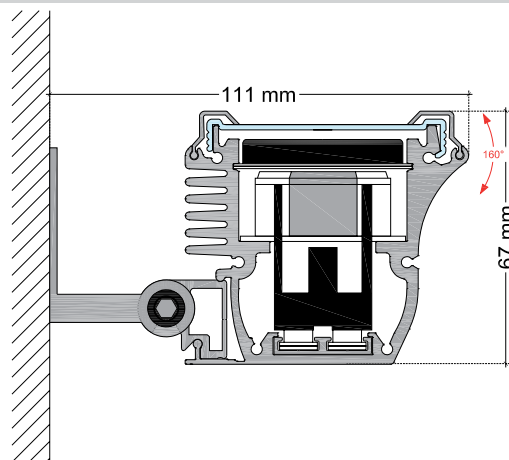
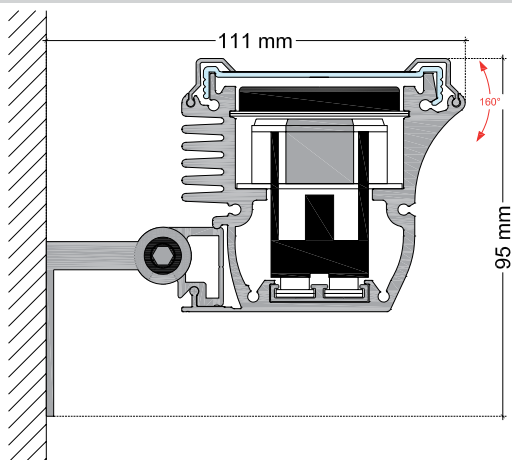


## TECHNICAL DATA SHEET

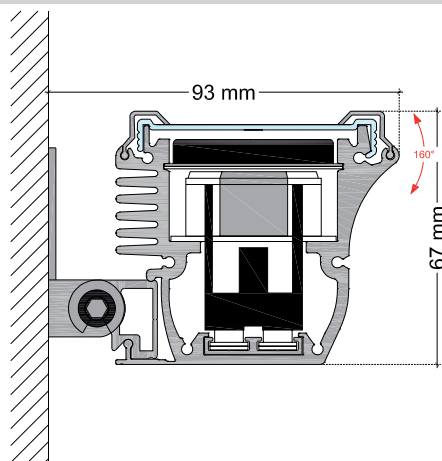
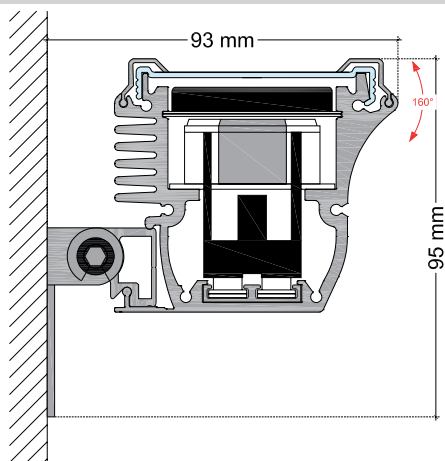
### LAPL + FLP SERIES

VERSION - 01.09.215

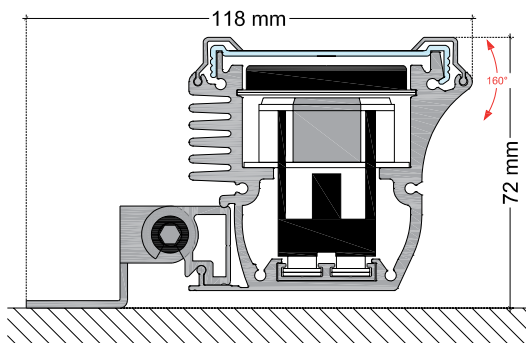
#### FLP1



#### FLP1C



#### FLPF



#### AGABEKOV



**AGABEKOV SA Manufacture** 6, ROUTE DE COMPOIS  
CH-1222 VÉSENAZ - GENEVA - SWITZERLAND  
Tel. +41 22 752 47 45 Fax. +41 22 752 37 08  
E - mail: [info@agabekov.com](mailto:info@agabekov.com)



**AGABEKOV SA Bureau d'etudes** 6, ROUTE DE COMPOIS  
CH-1222 VÉSENAZ - GENEVA - SWITZERLAND  
Tel. +41 22 752 47 45 Fax. +41 22 752 37 08  
Internet: [www.agabekov.com](http://www.agabekov.com)

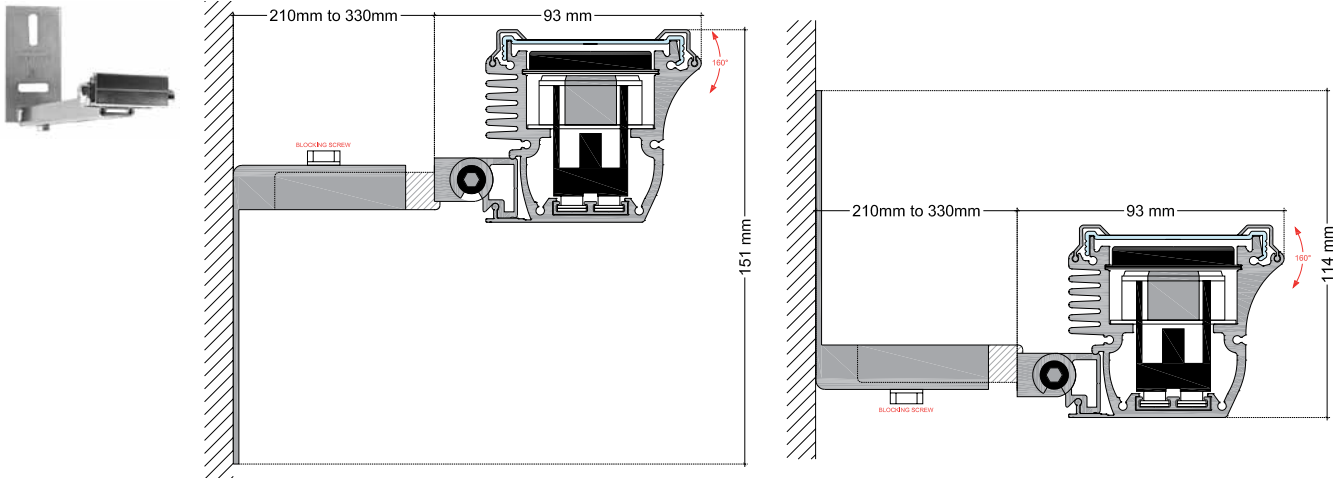


## TECHNICAL DATA SHEET

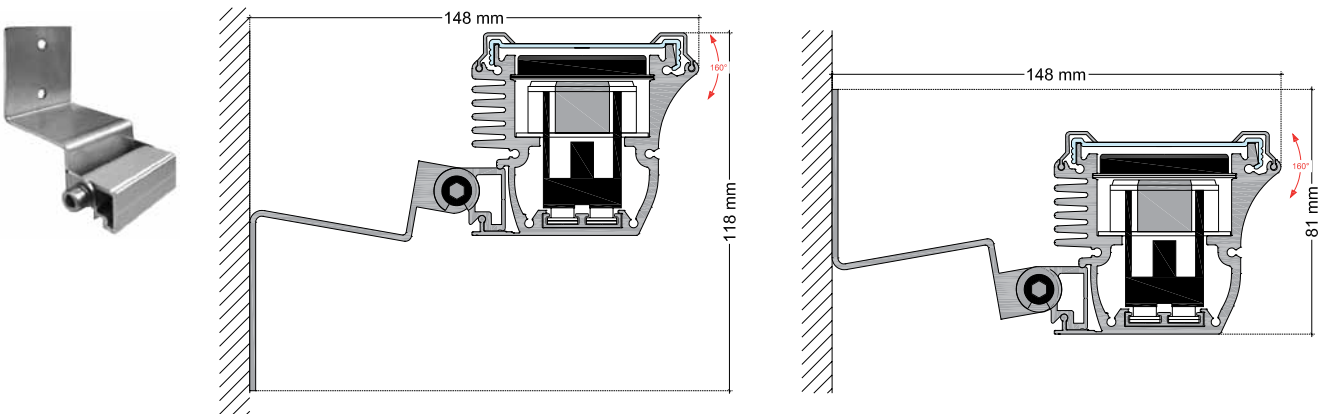
### LAPL + FLP SERIES

VERSION - 01.09.2015

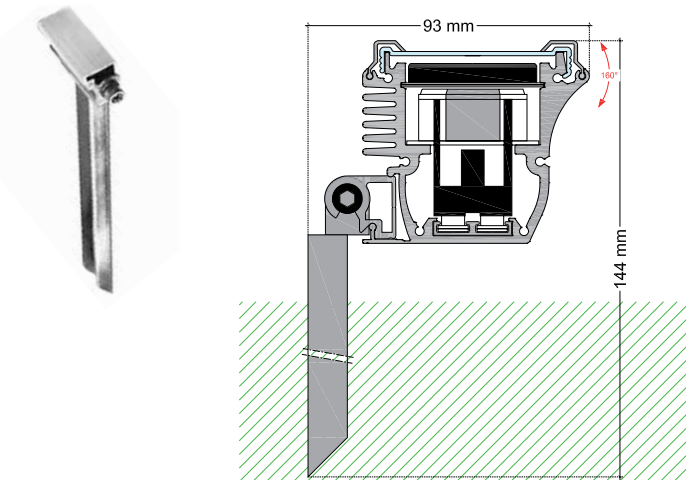
#### FLP2



#### FLP3

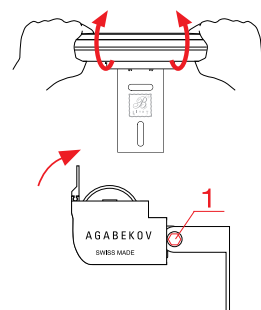


#### FLPJ



To unclip and clip the luminaire, lock the 'imbus' screw (1) and tilt the luminaire as shown on the drawings.

#### CLIP



#### UNCLIP

