

TECHNICAL DATA SHEET

TMTAL IP65 / Aga-Led® Type A

VERSION - 13.11.2017

STANDARD LUMINAIRE

Reference	TMTAL
Protection Class	IP65
Lighting Source	Aga-Led® Type A
Connector	Festoon on B'Light conductor 16mm ²
Dimensions	340 x 180mm
Standard Length	670 - 1000mm
Length on measure	up to 3035mm
Nb Lighting Source	16 LED/m
Voltage	24V
Power	16 W/m
Connecting Cable	Both tige : 1m standard cable 2x1.5mm ²
Fixation	2 x(TIGE-8mm + BFTV-8mm)/m + Plexiglass
Cover	VFC (Clear Glass)
End Caps	EPR190

FINISH

Color Finishing Profil

Standard	Natural Anodised Aluminium
On request	Thermo-Enameling
	Powder Coating RAL
	Color Anodising
	Polished Aluminium Chrome Aspect
	Polished Aluminium Gold Aspect

ON REQUEST

Fixation	BFTH-8mm
	ALTR - Power Supply included
Medium Support	FCT (distance > 1500mm)
Cover	VFO (Opaline Glass)
Front Visor	VAE (Not possible with Cover)
Dimming Option	1-10V, Dali, KNX
	Ask technical department for more information

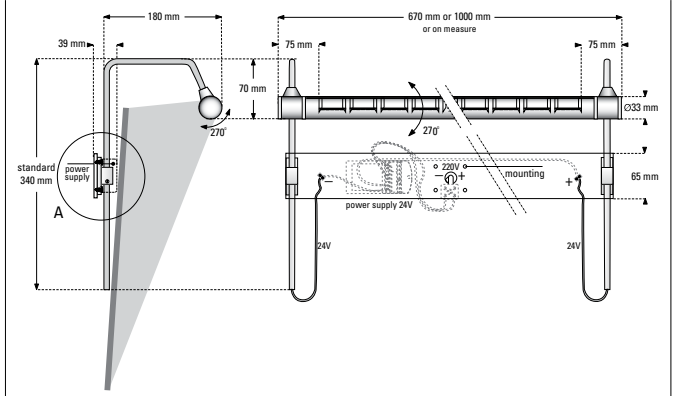
LIGHTING SOURCE

Lighting Source	Aga-Led® Type A
Ref	A10
Voltage	24V
Power	1W
Beam Angle	15°
CRI	80
Color Temperature	lm/Unit
	2800K 40lm
	4000K 45lm
Lifetime	60'000h
Working T°	-30°C ~ +55°C
Option	AGC: Anti Glare Optic

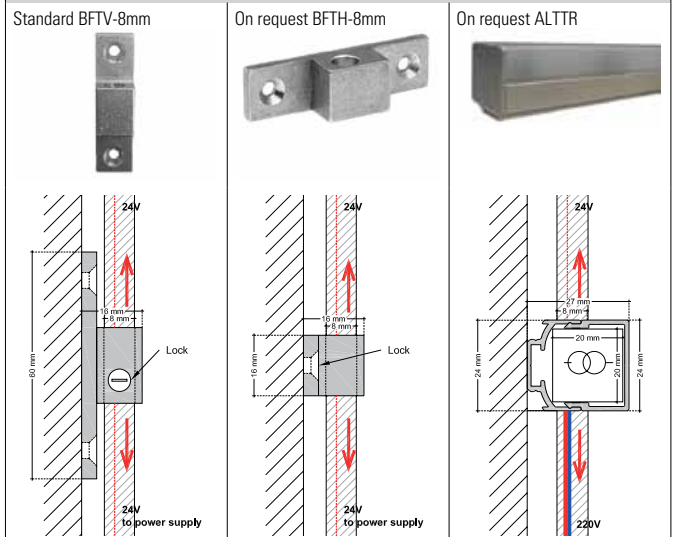


APPLICATION: PICTURE LIGHTING

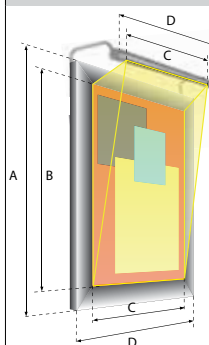
TMTAL - Aga Led Type A



FIXATION - (Detail A)



HOW TO ORDER



Les mesures **B** et **C** correspondent à la zone d'éclairage
Maß **B** und **C** entspricht dem Leuchtbereich
Measurements **B** and **C** are those of the lit area

Les mesures **A** et **D** correspondent à la dimension externe
du cadre Maß **A** und **D** entspricht der Außenabmessung
des Rahmens
Measurements **A** and **D** are the dimensions of the outside
of the frame

CERTIFICAT



AGABEKOV



AGABEKOV SA Manufacture 6, ROUTE DE COMPOIS
CH-1222 VÉSENAZ - GENEVA - SWITZERLAND
Tel. +41 22 752 47 45 Fax. +41 22 752 37 08
E-mail: info@agabekov.com



AGABEKOV SA Bureau d'études 6, ROUTE DE COMPOIS
CH-1222 VÉSENAZ - GENEVA - SWITZERLAND
Tel. +41 22 752 47 45 Fax. +41 22 752 37 08
Internet: www.agabekov.com

