

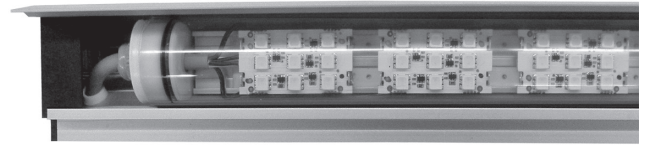
TECHNICAL DATA SHEET

LU4TR IP66 / Aga-Led® Type RGB

VERSION - 10.11.2016

STANDARD LUMINAIRE

Reference	LU4TR66
Protection Class	IP66
Lighting Source	Aga-Led® Type RGB
Connector	Festoon on B'Light conductor 16mm ²
Dimensions	53 x 55mm
Lenght standard	185 - 515 - 1010 - 1505 - 2000 - 2660mm
Lenght on measure	on request up to 2990mm
Nb Lighting Source	16 LED/m
Voltage	24V
Power	38.4 W/m
Connecting Cable	One Side: 1m cable Silicone 180° 4x0.75mm ²
End Caps	EL3



FINISH

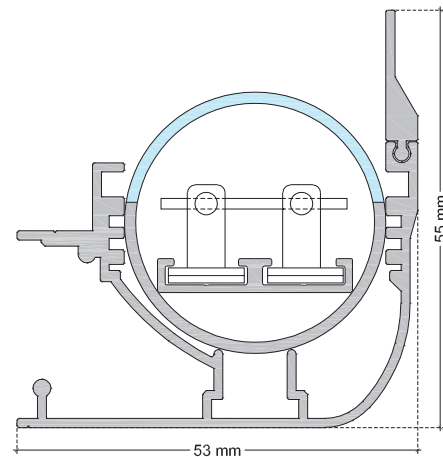
Finishing Tube

Standard	Polycarbonate
	<i>Not suitable for swimming-pool or chlorine environment</i>

Color Finishing Profil

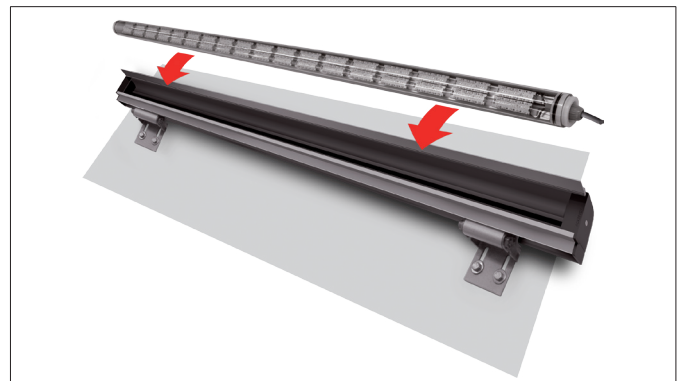
Standard	Natural Anodised Aluminium
On request	<i>Thermo-enameling Powder Coating RAL Color Anodising</i>

LU4TR66 / AGA-LED® TYPE B - Festoon



ON REQUEST

Fixation	FLP Series
Connecting Cable	Two sides: in and out cables
Connecting Plug	AMS / AF or AMS-E / AF-E
Dimming Option	Dali, KNX
	<i>Ask technical departement for more information</i>



LIGHTING SOURCE

Lighting Source	Aga-Led® Type RGB
Ref	09LS05B G2 
Voltage	24V
Power	2.4W
Current	Red: 20mA-Green: 40mA-Blue: 40mA
Beam Angle	120°
Lifetime	50'000h
Working T°	-20°C to +45°C
Environmental protection	Modified acrylate resin

ON REQUEST: Connecting Plug

AF/AMS



AF-E/AMS-E (IP68)



Light Output

	Red	Green	Blue
mcd	750 mdc	2100 mdc	450 mdc

CERTIFICAT

