

TECHNICAL DATA SHEET

LU4TD IP68 / Aga-Led® Type B

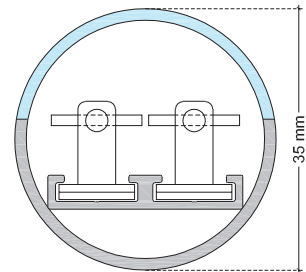
VERSION - 16.05.2017

STANDARD LUMINAIRE

Reference	LU4TD68
Protection Class	IP68 - 1meter
Lighting Source	Aga-Led® Type B
Connector	Festoon on B'Light conductor 16mm ²
Dimensions	ø35mm
Length standard	135 - 520 - 1015 - 1510 - 2005 - 2665 - 2995mm
Length on measure	on request up to 2995mm
Nb Lighting Source	34 LED/m
Voltage	24V
Power	With B3: 32.64 W/m With B6: 40.8 W/m
Connecting Cable	One Side: 1m cable Silicone 180° 2x1.5mm ²
End Caps	RECS



LU4TD68 / AGA-LED® TYPE B - Festoon



FINISH

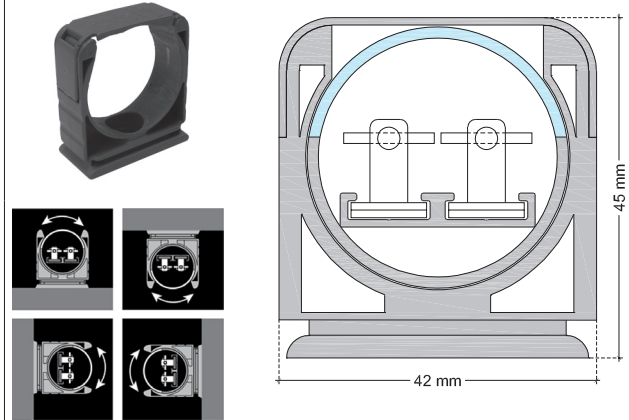
Color Finishing Profil

Standard	Polycarbonate <i>Not suitable for swimming-pool or chlorine environment</i>
----------	--

ON REQUEST

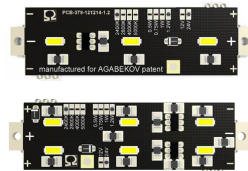
Fixation	FL (Width:+7mm - Ht:+10mm)
Connecting Cable	Two sides: in and out cables
Connecting Plug	AMS / AF or AMS-E / AF-E
Dimming Option	1-10V, Dali, KNX <i>Ask technical departement for more information</i>

ON REQUEST: LU4T68 Fixation



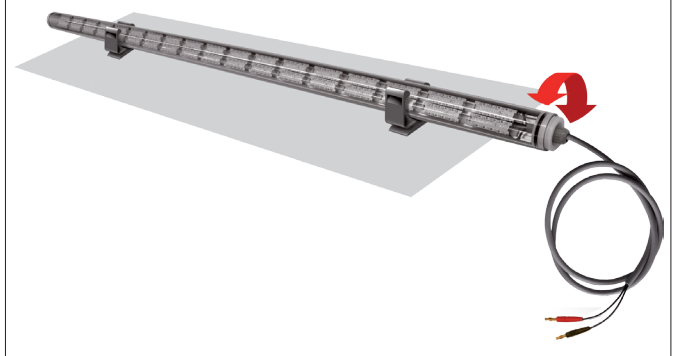
LIGHTING SOURCE

Lighting Source	Aga-Led® Type B - Generation 2	
Ref	B3	B6
Power	0.96W	1.2W
Voltage	24V	24V
Beam Angle	120°	120°
CRI	80	80
Lifetime	50'000h	
Working T°	-20°C to +45°C	
Environmental protection	Modified acrylate resin	



Color Temperature & Luminous Flux / Unit

	2200K	2400K	2700K	3000K	4000K
Aga-Led® B3-G2	--	97 lm	137lm	137lm	137lm
Aga-Led® B6-G2	129 lm	140 lm	166 lm	166 lm	166 lm



ON REQUEST: Connecting Plug

AF/AMS



AF-E/AMS-E (IP68)



CERTIFICAT

