

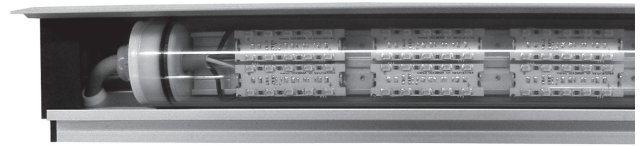
## TECHNICAL DATA SHEET

### LU4TD IP66 / Aga-Led® Type B

VERSION - 16.12.2016

#### STANDARD LUMINAIRE

Reference	LU4TD66
Protection Class	IP66
Lighting Source	Aga-Led® Type B
Connector	Festoon on B'Light conductor 16mm <sup>2</sup>
Dimensions	53 x 55mm
Lenght standard	185 - 515 - 1010 - 1505 - 2000 - 2660mm
Lenght on measure	on request up to 2990mm
Nb Lighting Source	32 LED/m
Voltage	24V
Power	30.72 W/m to 38.4 W/m
Connecting Cable	One Side: 1m cable Silicone 180° 2x1.5mm <sup>2</sup>
End Caps	EL3



#### FINISH

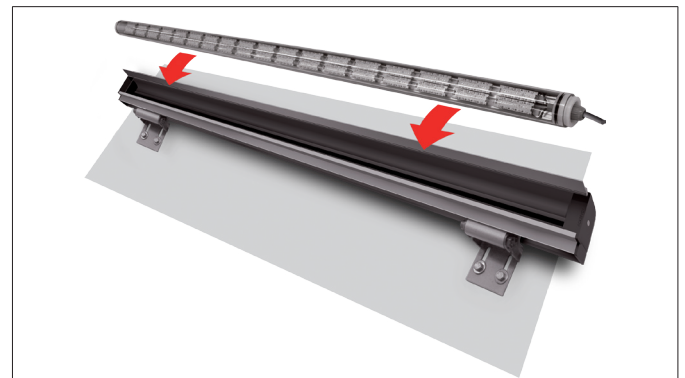
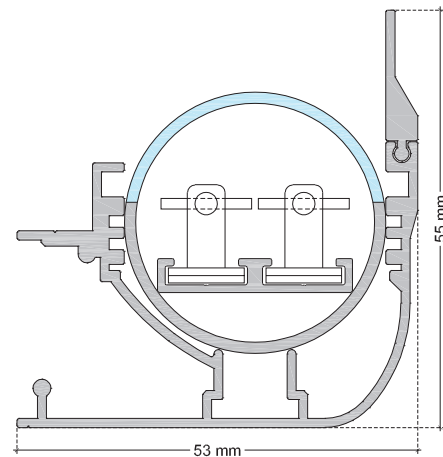
##### Finishing Tube

Standard	Polycarbonate
	<i>Not suitable for swimming-pool or chlorine environment</i>

##### Color Finishing Profil

Standard	Natural Anodised Aluminium
On request	<i>Thermo-enameling Powder Coating RAL Color Anodising</i>

LU4TD66 / AGA-LED® TYPE B - Festoon

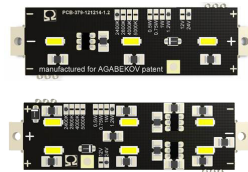


#### ON REQUEST

Fixation	FLP Series
Connecting Cable	Two sides: in and out cables
Connecting Plug	AMS / AF or AMS-E / AF-E
Dimming Option	1-10V, Dali, KNX
	<i>Ask technical departement for more information</i>

#### LIGHTING SOURCE

Lighting Source	Aga-Led® Type B - Generation 2	
Ref	B3	B6
Power	0.96W	1.2W
Voltage	24V	24V
Beam Angle	120°	120°
CRI	80	80
Lifetime	50'000h	
Working T°	-20°C to +45°C	



Environmental protection Modified acrylate resin

#### Color Temperature & Luminous Flux / Unit

	2200K	2400K	2700K	3000K	4000K
Aga-Led® B3-G2	--	97 lm	137lm	137lm	137lm
Aga-Led® B6-G2	129 lm	140 lm	166 lm	166 lm	166 lm

#### ON REQUEST: Connecting Plug

##### AF/AMS



##### AF-E/AMS-E (IP68)



#### CERTIFICAT

