

## TECHNICAL DATA SHEET

### Hanging Rod with Light / LPALW Plywood IP20 / Aga-Led® Type B

VERSION - 05.01.2017

#### STANDARD LUMINAIRE

Reference	LPALW
Protection Class	IP20
Lighting Source	Aga-Led® Type B
Connector	Rigid Loop on B'Light conductor 16mm <sup>2</sup>
Dimensions	ø34mm
Standard Length	330 - 1000 - 1670 - 2000mm
Length on measure	on request up to 3000mm
Nb Lighting Source	17 LED/m
Voltage	24V
Power	16.32W/m to 20.4 W/m
Connecting Cable	1m standard cable 2x1.5mm <sup>2</sup>
Wall Fixation	FT1-W

#### APPLICATION: Wardrobes Lighting



#### FINISH

##### Color Finishing Profil

Standard Plywood

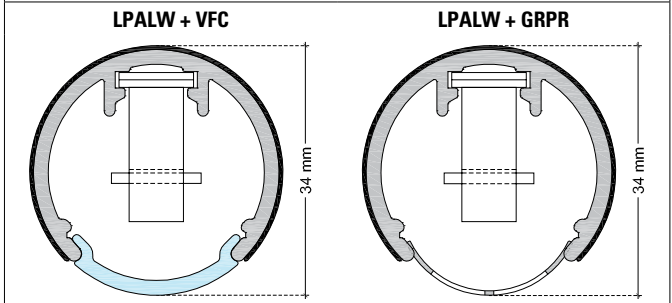
##### Glass Finishing

Standard VFC: Clear Glass  
 On request VFO: Opaline Glass

##### Wall Fixation & Median Support Finishing

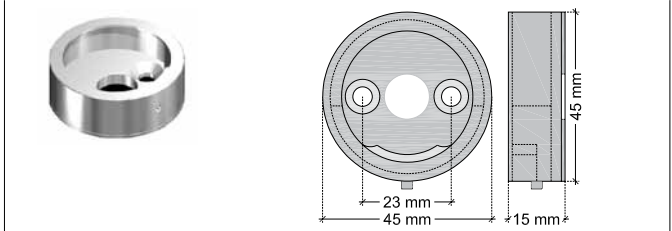
Standard Natural Anodised Aluminium  
 On request Thermo-Enameling  
 Powder Coating RAL  
 Color Anodising  
 Polished Aluminium Chrome Aspect  
 Polished Aluminium Old Gold Aspect

#### LPALW / AGA-LED® TYPE B - Rigid Loop



#### WALL FIXATION : FT1-W

Not available in plywood



#### ON REQUEST

Fixation	FC-W: Median Support
Grid	GRPR (Grid not possible with Aga-Led® B3)
Connection	IDP: Door Switch
Dimming Option	1-10V, Dali, KNX Ask technical department for more information

#### LIGHTING SOURCE

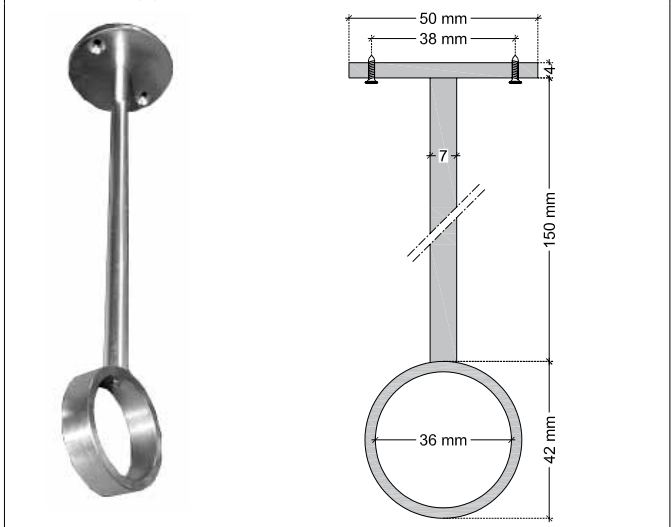
Lighting Source	Aga-Led® Type B - Generation 2	
Ref	B3	B6
Voltage	24V	24V
Power	0.96W	1.2W
Beam Angle	120°	120°
CRI	80	80
Lifetime	50'000h	
Working T°	-20°C to +45°C	
Environmental protection	Modified acrylate resin	

#### Color Temperature & Luminous Flux / Unit

	2200K	2400K	2700K	3000K	4000K
<b>Aga-Led® B3-G2</b>	--	97 lm	137lm	137lm	137lm
<b>Aga-Led® B6-G2</b>	129 lm	140 lm	166 lm	166 lm	166 lm

#### MEDIAN SUPPORT : FC-W

Every 900mm for a safe installation  
 Not available in plywood



#### CERTIFICAT



#### AGABEKOV



**AGABEKOV SA Manufacture** 6, ROUTE DE COMPOIS  
 CH-1222 VÉSENAZ - GENEVA - SWITZERLAND  
 Tel. +41 22 752 47 45 Fax. +41 22 752 37 08  
 E - mail: info@aaabekov.com



**AGABEKOV SA Bureau d'etudes** 6, ROUTE DE COMPOIS  
 CH-1222 VÉSENAZ - GENEVA - SWITZERLAND  
 Tel. +41 22 752 47 45 Fax. +41 22 752 37 08  
 Internet: www.aaabekov.com



## TECHNICAL DATA SHEET

### Hanging Rod with Light / INSTALLATION

VERSION - 03.08.2016

