

TECHNICAL DATA SHEET

LL3AL IP65 / Aga-Led® Type B

VERSION - 13.12.2016

STANDARD LUMINAIRE

| | |
|-------------------|---|
| Reference | LL3AL |
| Protection Class | IP65 |
| Lighting Source | Aga-Led® Type B |
| Connector | Rigid Loop on B'Light conductor 16mm ² |
| Dimensions | 53 x 38mm |
| Length standard | 495 - 990 - 1485 - 1980mm |
| Length on measure | on request up to 2970mm |
| Nb Lighting Unit | 17 LED/m |
| Voltage | 24V |
| Power | With B3: 16.32 W/m With B6: 20.4 W/m |
| Connecting Cable | Both Side: 20cm standard cable 2x2.5mm ² |
| End Caps | EL3 |

FINISH

Color Finishing Profil

| | |
|------------|---|
| Standard | Natural Anodised Aluminium |
| On request | Thermo-enameling Powder Coating RAL Color Anodising Polished Aluminium Chrome Aspect Polished Aluminium Gold Aspect |

Glass Finishing

| | |
|------------|------------------|
| Standard | VAT: Clear Glass |
| On request | VAO: Opaline |

ON REQUEST

| | |
|-----------------|---|
| Fixation | FLP Series |
| Grid | GLA / GLB or GTC / GTD |
| Other | CF : Front Visor |
| Connecting Plug | AMS / AF or AMS-E / AF-E |
| Dimming Option | 1-10V, Dali, KNX <i>Ask technical departement for more information</i> |

LIGHTING SOURCE

| | | |
|--------------------------|--------------------------------|------|
| Lighting Source | Aga-Led® Type B - Generation 2 | |
| Ref | B3 | B6 |
| Power | 0.96W | 1.2W |
| Voltage | 24V | 24V |
| Beam Angle | 120° | 120° |
| CRI | 80 | 80 |
| Lifetime | 50'000h | |
| Working T° | -20°C to +45°C | |
| Environmental protection | Modified acrylate resin | |

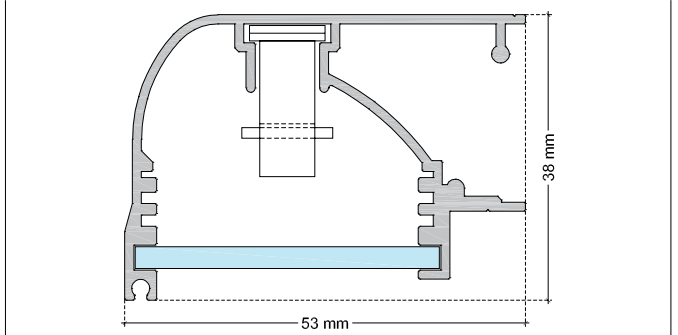
Color Temperature & Luminous Flux / Unit

| | 2200K | 2400K | 2700K | 3000K | 4000K |
|----------------|--------|--------|--------|--------|--------|
| Aga-Led® B3-G2 | -- | 97 lm | 137lm | 137lm | 137lm |
| Aga-Led® B6-G2 | 129 lm | 140 lm | 166 lm | 166 lm | 166 lm |

APPLICATION: DOWNWARDS FACADE LIGHTING

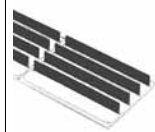


LL3AL / Aga-Led® Type B - Rigid Loop

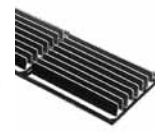


ON REQUEST: Longitudinal Grid

Simple: GLA



Simple: GLB

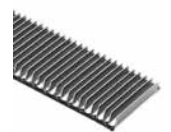


ON REQUEST: Transversal Grid

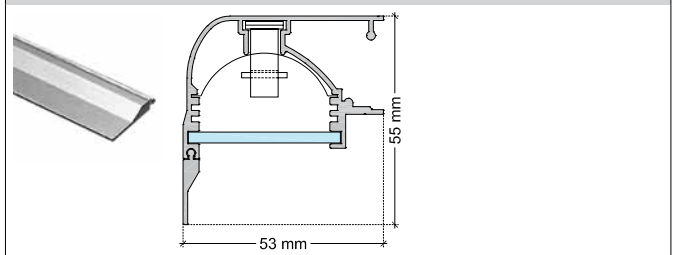
Simple: GTC



Double: GTD



ON REQUEST: Front Visor CF



ON REQUEST: Connecting Plug

AF/AMS



AF-E/AMS-E (IP68)



CERTIFICAT



AGABEKOV



AGABEKOV SA Manufacture 6, ROUTE DE COMPOIS
CH-1222 VÉSENAZ - GENEVA - SWITZERLAND
Tel. +41 22 752 47 45 Fax. +41 22 752 37 08
E - mail: info@agabekov.com



AGABEKOV SA Bureau d'etudes 6, ROUTE DE COMPOIS
CH-1222 VÉSENAZ - GENEVA - SWITZERLAND
Tel. +41 22 752 47 45 Fax. +41 22 752 37 08
Internet: www.agabekov.com

