

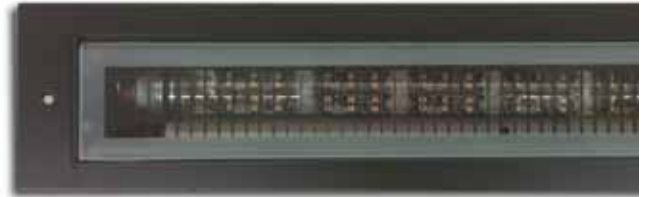
TECHNICAL DATA SHEET

LESITR IP65 / Aga-Led® Type RGB

VERSION - 10.11.2016

STANDARD LUMINAIRE

| | |
|--------------------|---|
| Reference | LESITR |
| Protection Class | IP65 - Tube IP68 (1 meter) |
| Lighting Source | Aga-Led® Type RGB |
| Connector | Rigid Loop on B'Light conductor 16mm ² |
| Dimensions | 78 x 89mm |
| Lenght Standard | 200 - 530 - 1025 - 1520 - 2015mm |
| Lenght on measure | on request up to 2015mm |
| Nb Lighting Source | 16 LED/m |
| Voltage | 24V |
| Power | 38.4 W/m |
| Connecting Cable | One side: 1m 180° cable Silicone 2x1.5mm ² |



FINISH

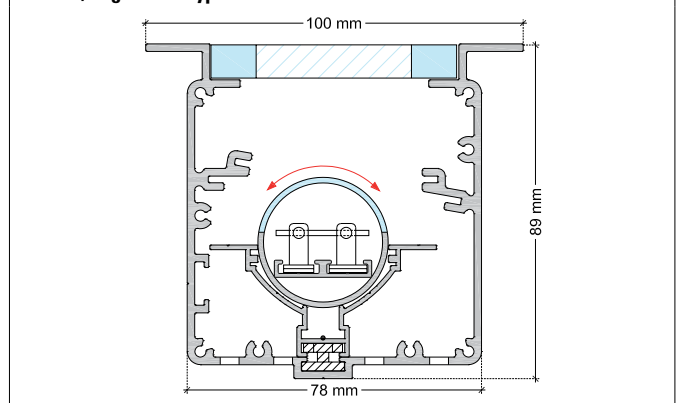
Color Finishing Profil

| | |
|------------|---|
| Standard | Natural Anodised Aluminium |
| On request | Thermo-enameling Powder Coating RAL Color Anodising |

Glass Finishing

| | |
|------------|---------|
| Standard | Clear |
| On request | Opaline |

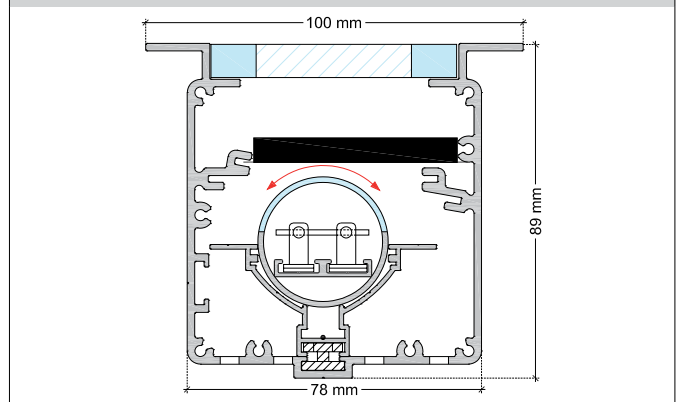
LESITR / Aga-Led® Type RGB



ON REQUEST

| | |
|-----------------|---|
| Recessed Box | LESI BOX (See data sheet) |
| Grid | GTCE : Transversal |
| Connecting Plug | AMS / AF or AMS-E / AF-E |
| Dimming Option | 1-10V, Dali, KNX <i>Ask technical departement for more information</i> |

ON REQUEST : Transversal Grid GTCE



LIGHTING SOURCE

| | |
|--------------------------|--|
| Lighting Source | Aga-Led® Type RGB |
| Ref | 09LS05B G2 |
| Voltage | 24V |
| Current | Red: 20mA-Green: 40mA-Blue: 40mA |
| Power | 2.4W |
| Beam Angle | 120° |
| Light Output - mcd | Red: 750 mcd Green: 2100 mcd Blue: 450 mcd |
| Lifetime | 50'000h |
| Working T° | -20°C to +45°C |
| Environmental protection | Modified acrylate resin |

CERTIFICAT



AGABEKOV SA Manufacture 6, ROUTE DE COMPOIS
CH-1222 VÉSENAZ - GENEVA - SWITZERLAND
Tel. +41 22 752 47 45 Fax. +41 22 752 37 08
E - mail: info@agabekov.com

AGABEKOV



AGABEKOV SA Bureau d'etudes 6, ROUTE DE COMPOIS
CH-1222 VÉSENAZ - GENEVA - SWITZERLAND
Tel. +41 22 752 47 45 Fax. +41 22 752 37 08
Internet: www.agabekov.com

