

TECHNICAL DATA SHEET

AMLTAL IP44 / Flex Led

VERSION - 30.04.2018

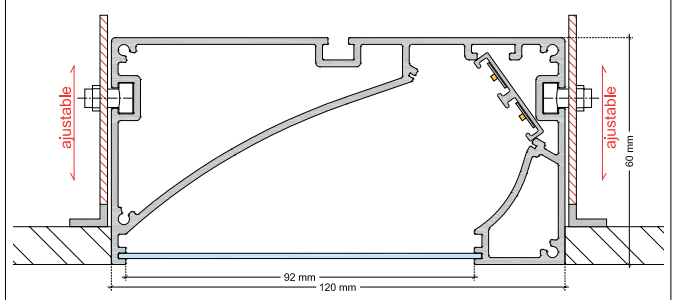
STANDARD LUMINAIRE

Reference	AMLTAL
Protection Class	IP44
Lighting Source	Flex Led
Dimensions	120 x 60mm
Standard Length	610 - 910 - 1210 - 1510mm
Length on measure	on request up to 2965mm
Nb Lighting Unit	120 LED/m
Voltage	24V
Power	9.6W/m
Connecting Cable	1m standard cable 2x1.5mm ²
Fixation	FIX
End Caps	ARL + EFA

APPLICATION: Miroirs, walls



AMLTAL / Flex Led



FINISH

Color Finishing Profil

Standard	Natural Anodised Aluminium
On request	Thermo-Enameling Powder Coating RAL Color Anodising Polished Aluminium Chrome Aspect Polished Aluminium Gold Aspect Plywood

Glass Finishing

Standard	VER: Opaline Glass
On request	VERC: Clear Glass

ON REQUEST

Connecting Plug	AMS / AF
Dimming Option	1-10V, Dali, KNX <i>Ask technical departement for more information</i>

LIGHTING SOURCE

Lighting Source	Flex Led
Voltage	24V
Power	4.8W/m
Nb Led	60 LED/m - LED Pitch: 16.8mm
Beam Angle	120°
CRI	>80
Cut-Out	every 100mm
Lifetime	50'000h or 5 years
Working T°	-30°C to +75°C

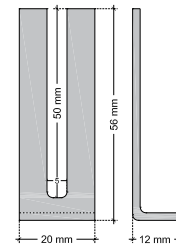
Color Temperature & Luminous Flux / Meter

CCT	2700K	3000K	4000K
lm/m	390 lm	390 lm	425 lm

CERTIFICAT



FIXATION : FIX



ON REQUEST : Connecting plug AF/AMS

